



# Ophthalmic Chair UN-15

*Serving Your Vision*



# Ophthalmic Chair

## UN-15

Satisfaction guaranteed in everyday use for patient care.

### Outstanding Features

A pneumatic-assisted manual recline mechanism uses patient's weight for easy reclining adjustments.

Recline capability includes a comfortable flat position, or any desirable position in between.

Single-handed headrest operation provides smooth patient headrest adjustment, and a unique lock indicator ensures that the headrest is locked firmly and securely in position.

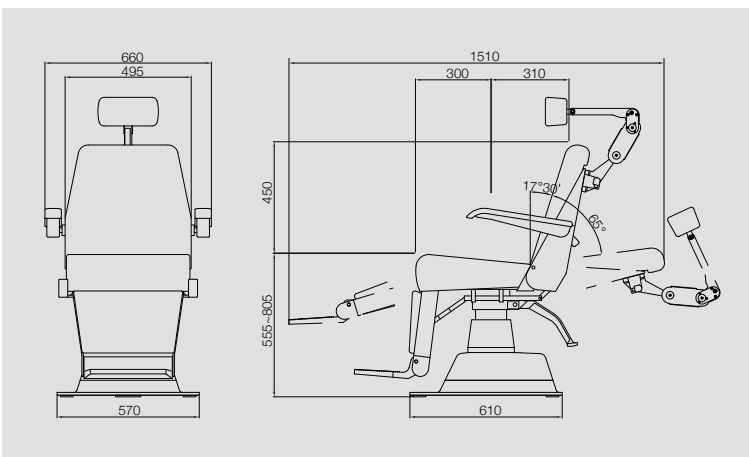
TAKAGI standard fail-safe sealed hydraulic system ensures smooth, long-term operation.

Rear-positioned, foot-activated rotation lock is easily accessible from both sides.

### Specifications

<b>Model name</b>	UN-15 Ophthalmic Chair
<b>Reclining angle</b>	107.5° to 172.5°
<b>Rotating angle</b>	255°
<b>Reclining</b>	By power hydraulic pump motor.
<b>Allowable load</b>	150 kg
<b>Power supply</b>	AC 100, 120, 230 V, 50/60 Hz
<b>Power consumption</b>	800 VA
<b>Weight</b>	110 kg

### Dimensions




Single-handed headrest



Foot-activated rotation lock



Combined with Ophthalmic Stand SN-500

 To ensure safe and correct handling please read the user manual before using.

- Description and appearance as detailed in this brochure may be subject to change as improvements are made to products.
- Colours as they appear in brochure photographs may be slightly different to actual products due to lighting conditions when photographs were taken, or print colours.

 **For The Americas, Asia-Pacific & Middle East**  
**Takagi Seiko Co., Ltd**  
 330-2 Iwafune, Nakano-shi, Nagano-ken, 383-8585, Japan  
 TEL : +81(0)269-22-4511(Switchboard) URL : <https://www.takagi-j.com>



Your local distributor

 **For Europe & Africa**  
**Takagi Ophthalmic Instruments Europe Ltd**  
 Citylabs 1.0, Nelson Street, Manchester, M13 9NQ, UK  
 TEL : +44 (0)161 273 6330 URL : <https://www.takagi-europe.com>